



©2019 DESIGNED BY PLAYSTEAM EDUCATION LIMITED, LONDON.
WEBSITE: WWW.PLAYSTEAM.COM EMAIL: INFO@PLAYSTEAM.COM ADDRESS: SUITE 35 - 36 THE DESIGNWORKS,
PARK PARADE, LONDON, NW10 4HT. MANUFACTURED BY HANGZHOU ZT MODEL COMPANY LIMITED. ADDRESS: NO 6
MINGDE RD., PUYAN, BINJIANG, HANGZHOU, CHINA.

PLAY • READ • INSPIRE



THE LEARNING BOOKLET

— TRIPLE SAFE CUBE —



Decryption will never succeed!




WARNING:
CHOKING HAZARD - Small parts,
Not for children under 3 years.

AGES **8+**



TABLE OF CONTENTS

	Warning Message	-----	01
	Package Contents	-----	05
	Installation Instructions	-----	08
	Fun Facts	-----	25

WARNING MESSAGE

GENERAL WARNING

Before you begin, please read through the instructions together with your children. Make sure you understand the safety messages. Please keep the packaging and instructions, as they contain important information.

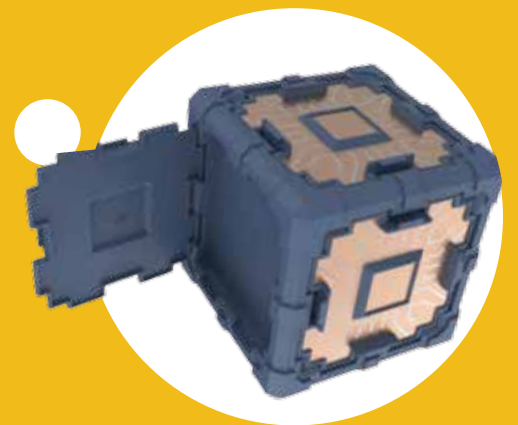
This kit is designed for children over 8 years of age. This product contains small parts which may pose a choking hazard. It is not suitable for children under 3 years old. Please keep individual parts and the fully-assembled product away from children under 3 years of age.

Screws and other metal parts may have sharp edges. Children should have adult supervision when assembling the product. Do not touch propellers as they rotate at high speeds.

This kit can be used in large indoor spaces and outdoors in low winds. Water and rain could damage parts of the airplane.

Last but not least, please clean the parts and finished product with a damp cloth. Do not use any soap or cleaning solutions.

1 | WARNING MESSAGE

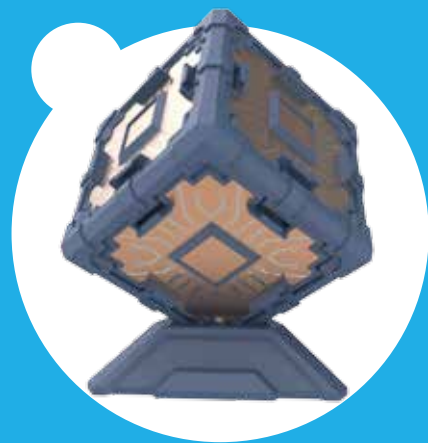




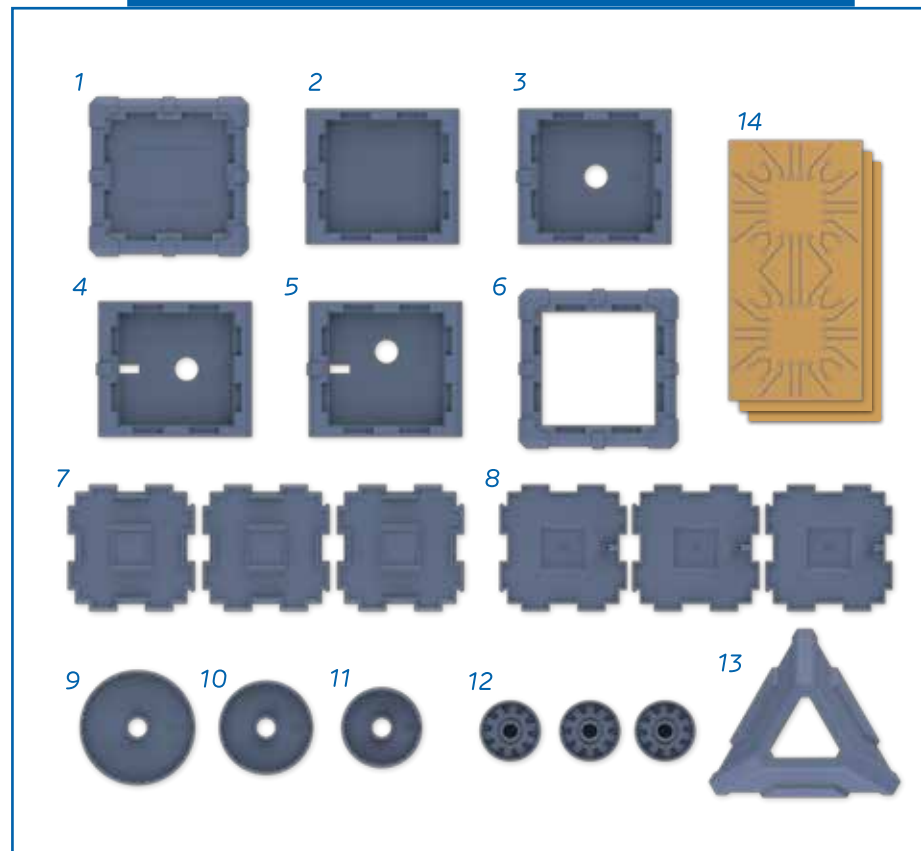
Read to be inspired!



2 | PACKAGE CONTENTS

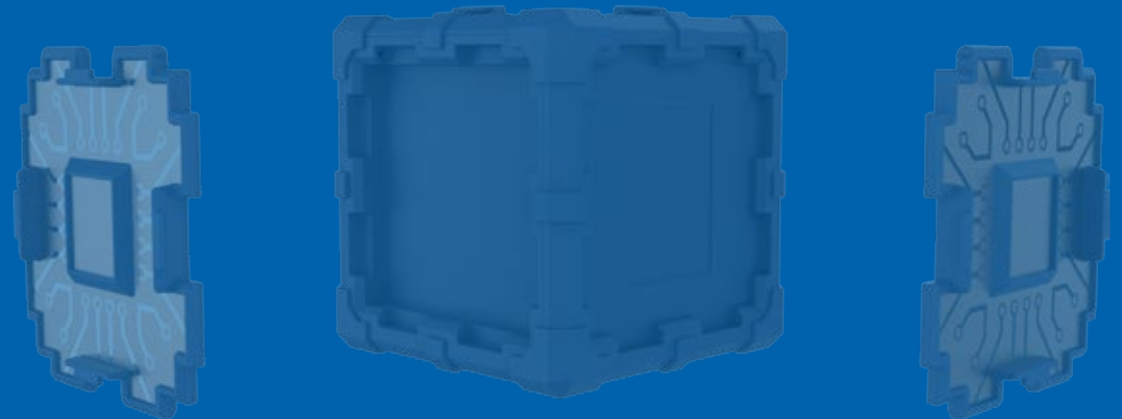


Package Contents



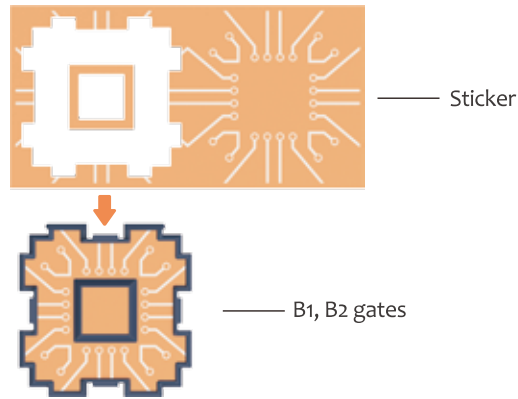
Serial	Name	Quantity	Serial	Name	Quantity
1	A1 base panel	1	8	B2 locking gates	3
2	A2 side panel	1	9	C1 locking disc	1
3	A3 side panel	1	10	C2 locking disc	1
4	A4 side panel	1	11	C3 locking disc	1
5	A5 side panel	1	12	Combination Dial	3
6	A6 top frame	1	13	Stand	1
7	B1 standard gates	3	14	Stickers	3

3 | INSTALLATION

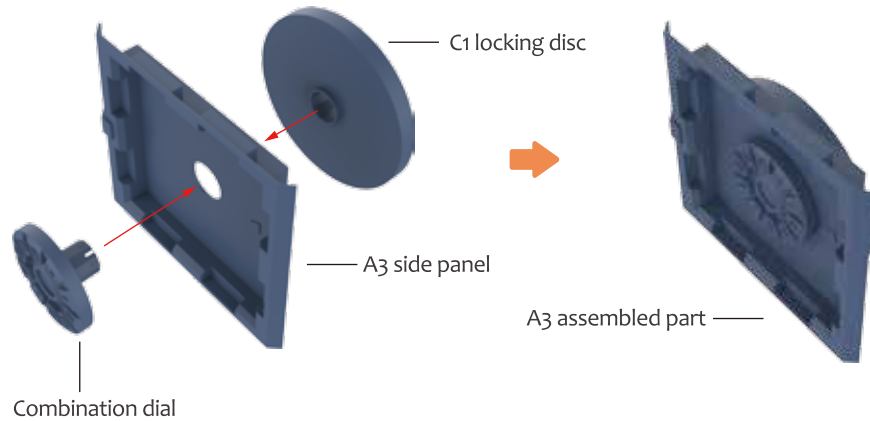


Assembly Steps

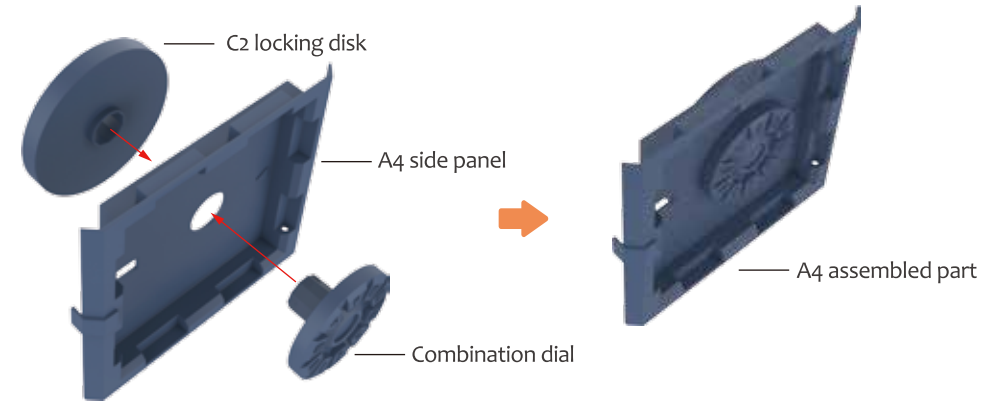
- 1 Apply the stickers on all 6 B1 standard and B2 locking gates.



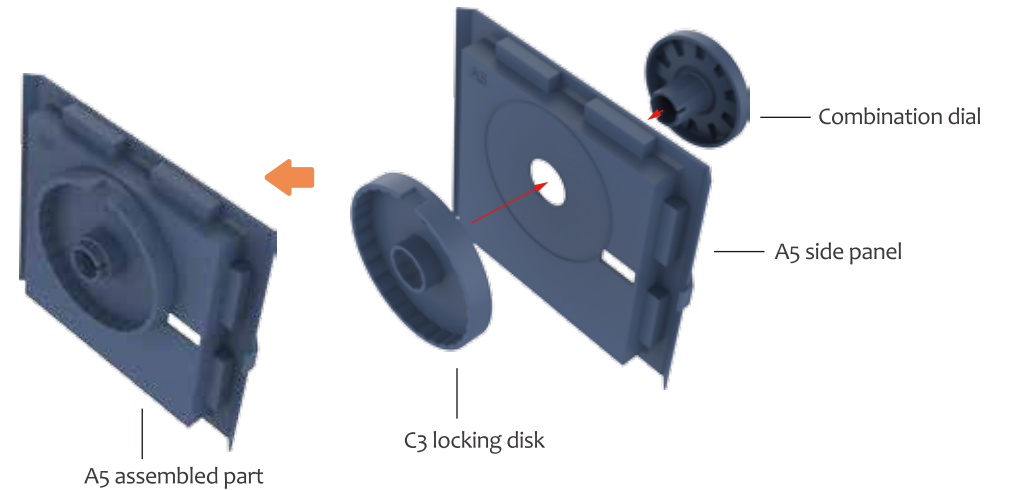
- 2 Connect and fix a combination dial with the C1 locking disk through the hole of the A3 side panel.



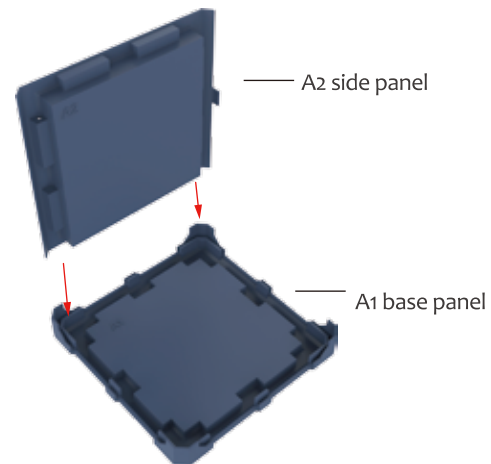
- 3 Connect and fix a combination dial to the C2 locking disk through the hole of the A4 side panel.



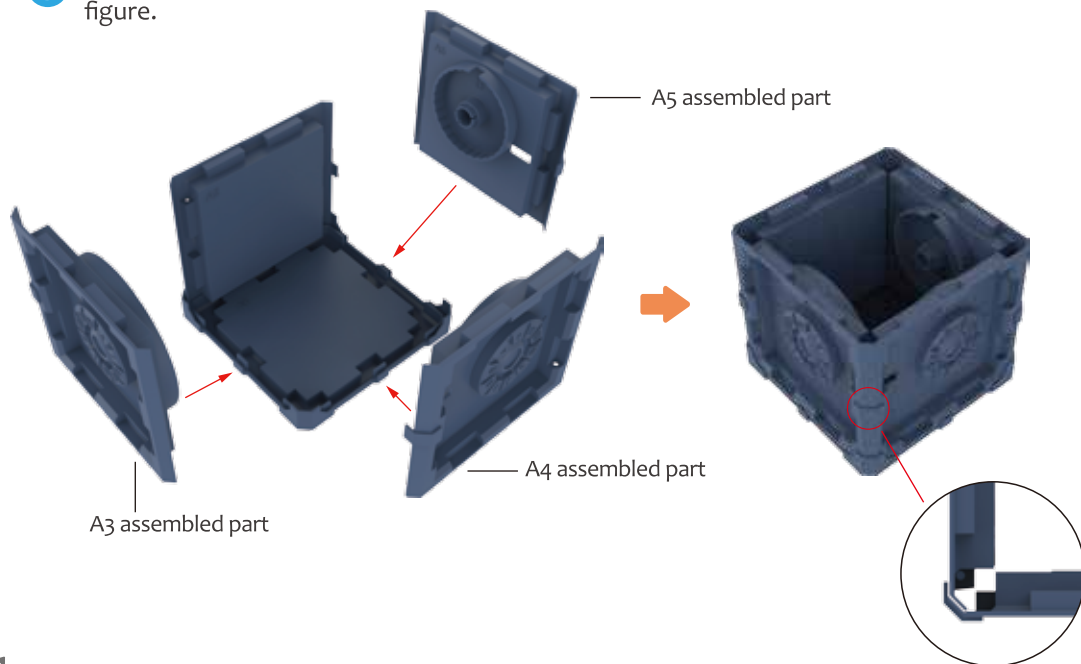
- 4 Connect and fix a combination dial to the C3 locking disk through the hole of the A5 side panel.



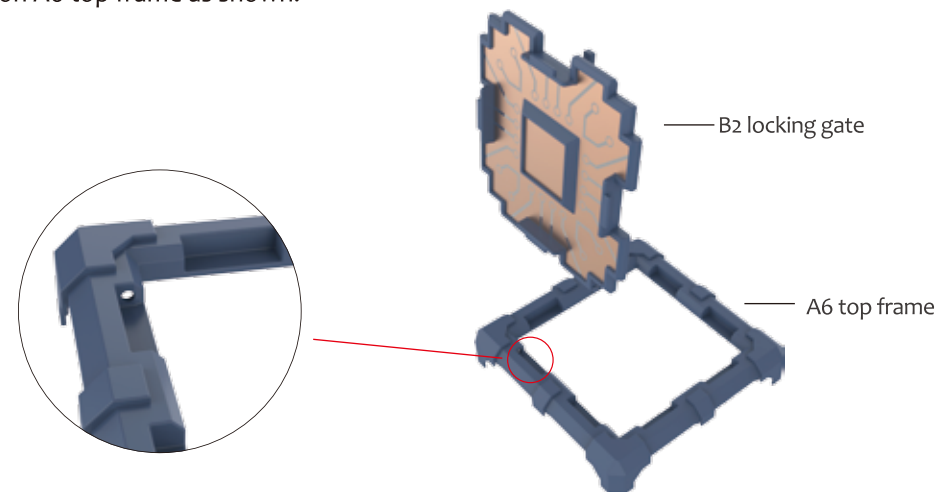
- 5 Insert the A2 side panel into the A1 base panel as shown in the figure.



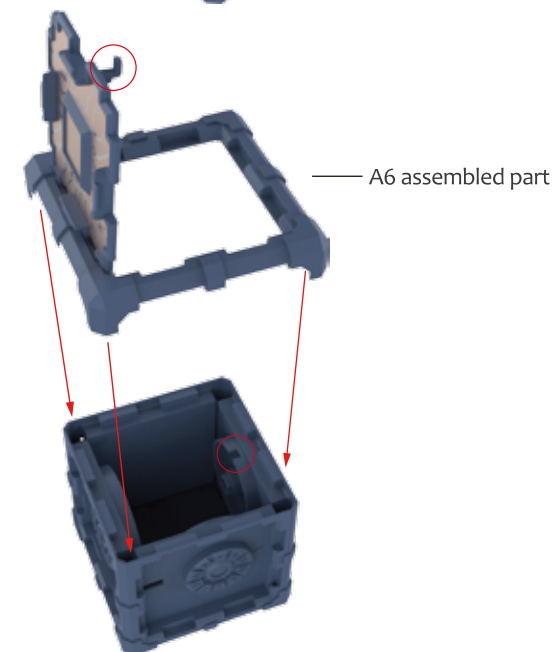
- 6 Insert A3, A4 and A5 assembled parts into the A1 base panel according to the figure.



- 7 Snap the pins on B2 locking gate into the holes on A6 top frame as shown.



- 8 Insert the A6 assembled part according to the figure. Pay attention to the direction, the gate hook and the locking disk on the A5 side should match.



Demonstration of Password Setting

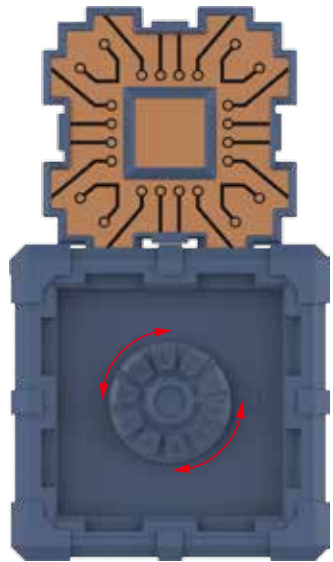
(Let's take 123 as password example)

A3 side password setting

Rotate the combination dial on the A3 side according to the figure and observe the passage of the C1 locking disk slot on the A4 side.

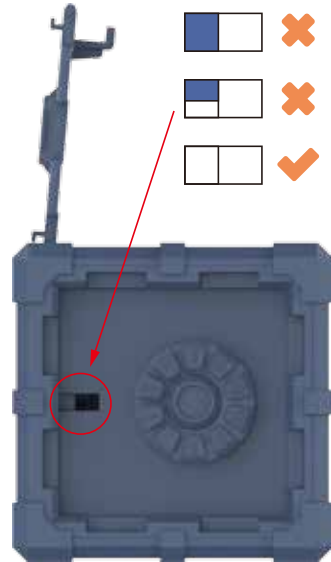
When the slot on the C1 locking disk coincide with the opening on the A4 side, hold the locking disk with your finger and pull out the combination dial. Then align the digit "1" with the arrow and press the combination dial sharply. A3 side password setting is completed.

1



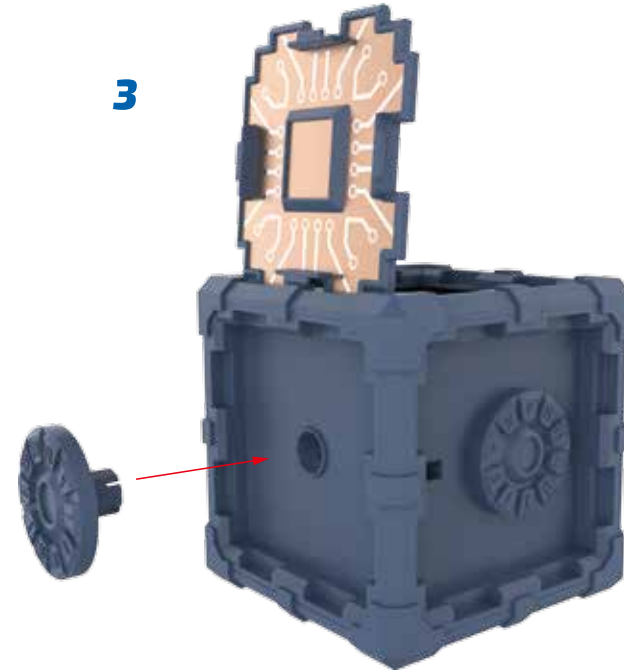
A3 side

2



A4 side

3



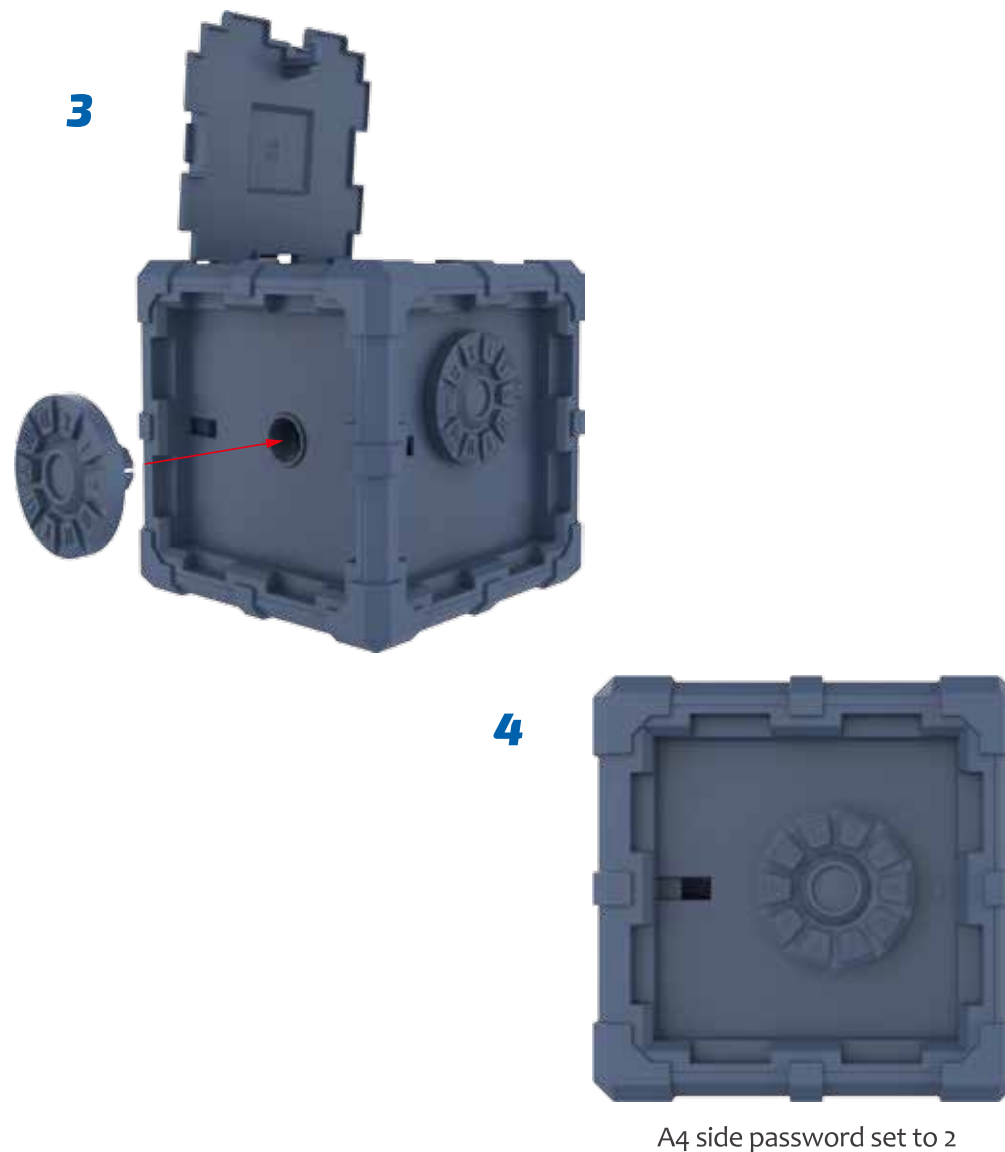
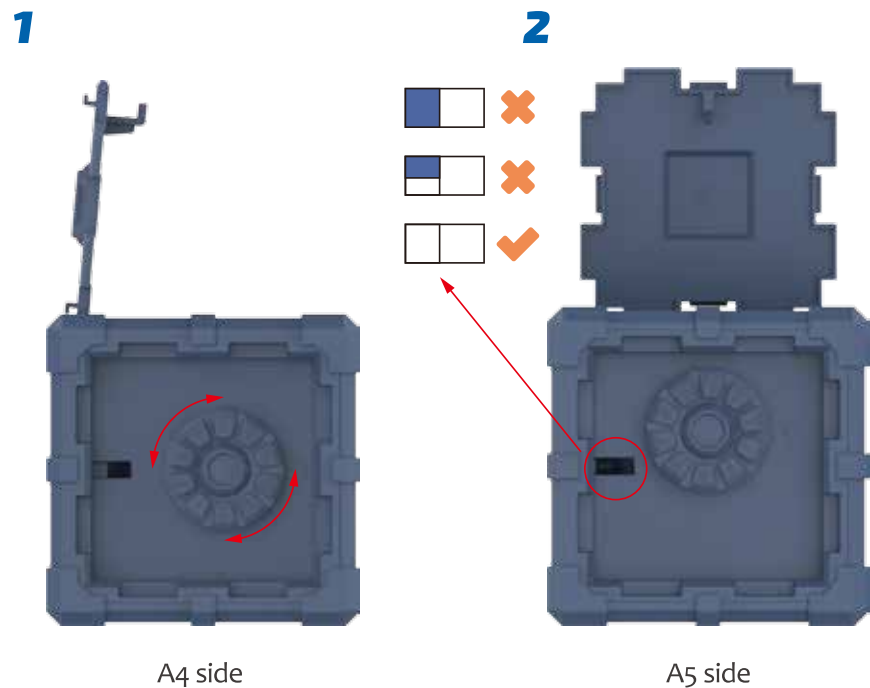
4



A3 side password set to 1

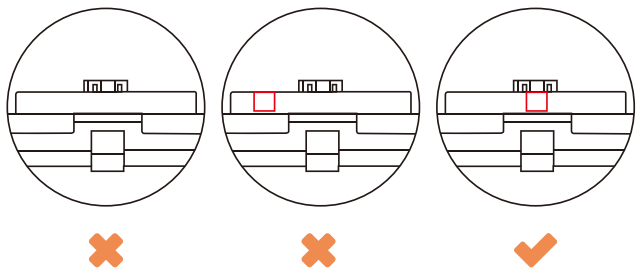
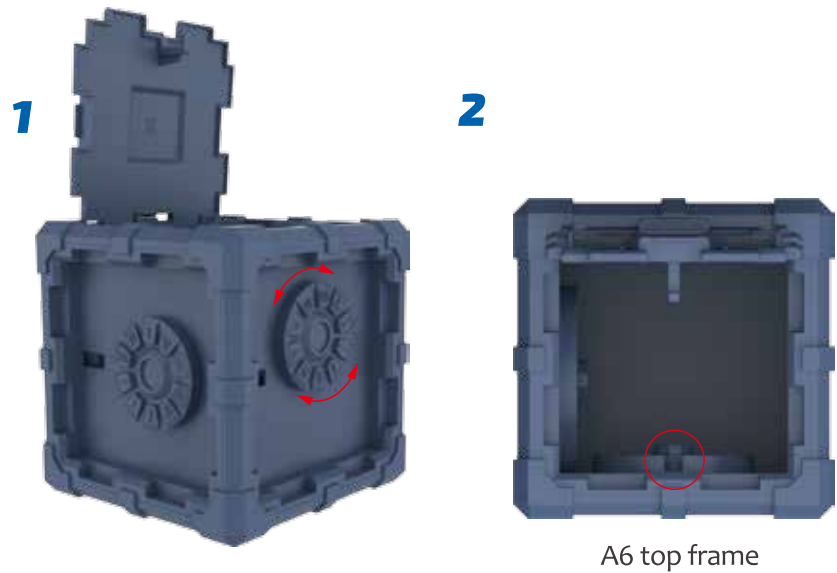
A4 side password setting

Rotate the combination dial on the A4 side according to the figure and observe the passage of the C2 locking disk slot on the A5 side. When the slot on the C2 locking disk coincides with the opening on the A5 side, hold the locking disk with your finger and pull out the combination dial. Then align the digit "2" with the arrow and press the combination dial sharply. A4 side password setting is completed.

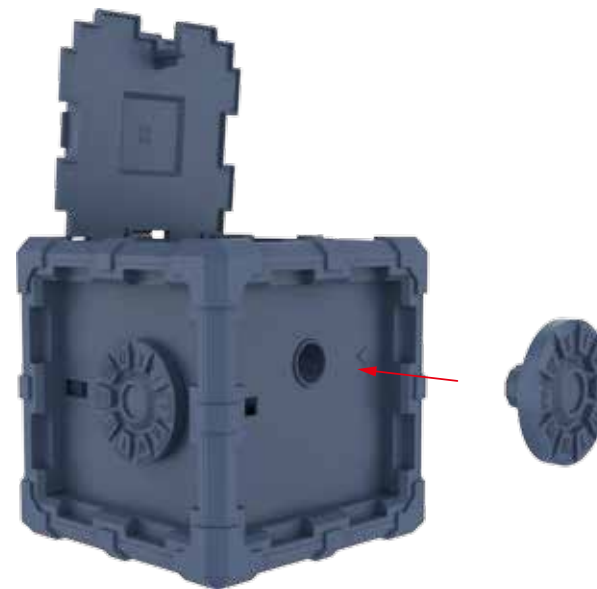


A5 side password setting

Rotate the combination dial on the A5 side to bring the slot on the top position according to the figure. Hold the C3 locking disk with your finger and pull out the combination dial. Then align the digit "3" with the arrow and press the combination dial sharply. A5 side password setting is completed.



3



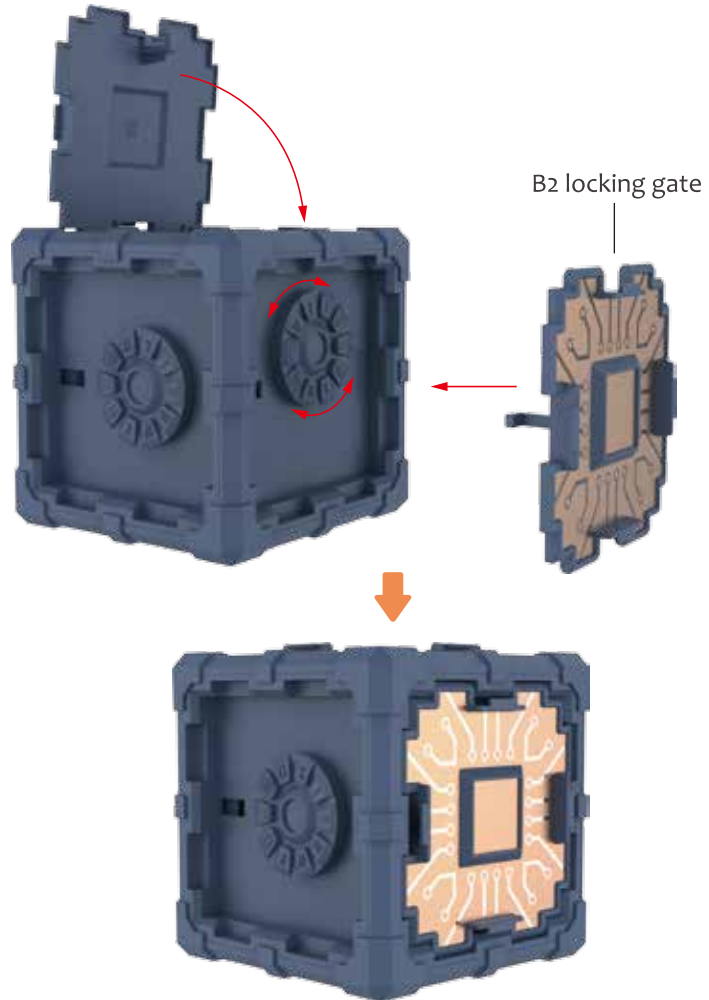
4



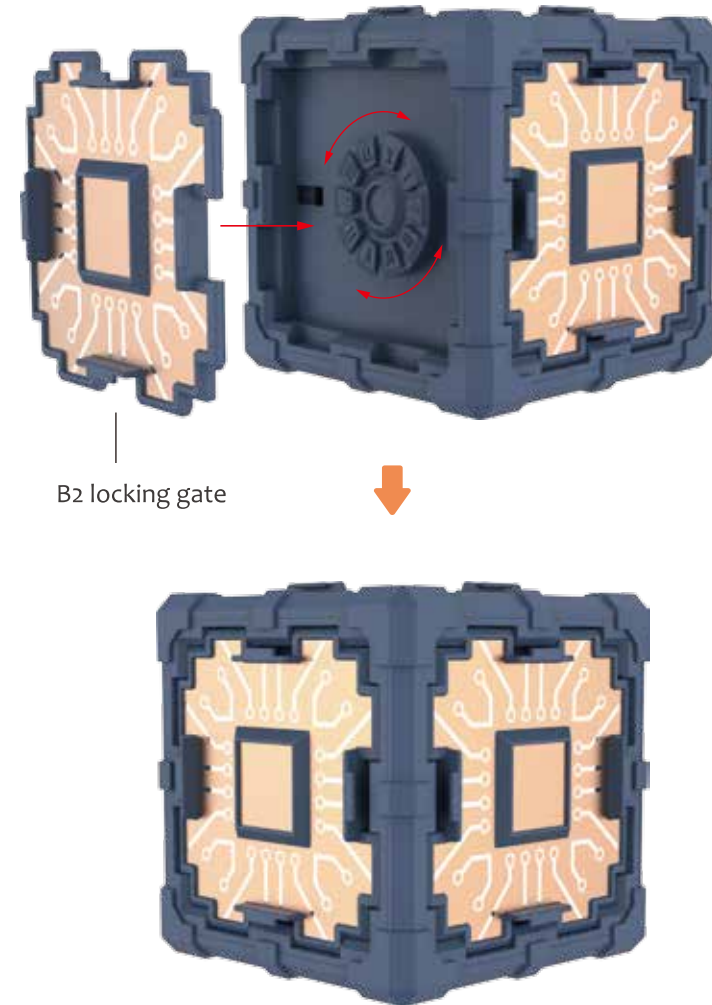
A5 side password set to 3

Gates assembling

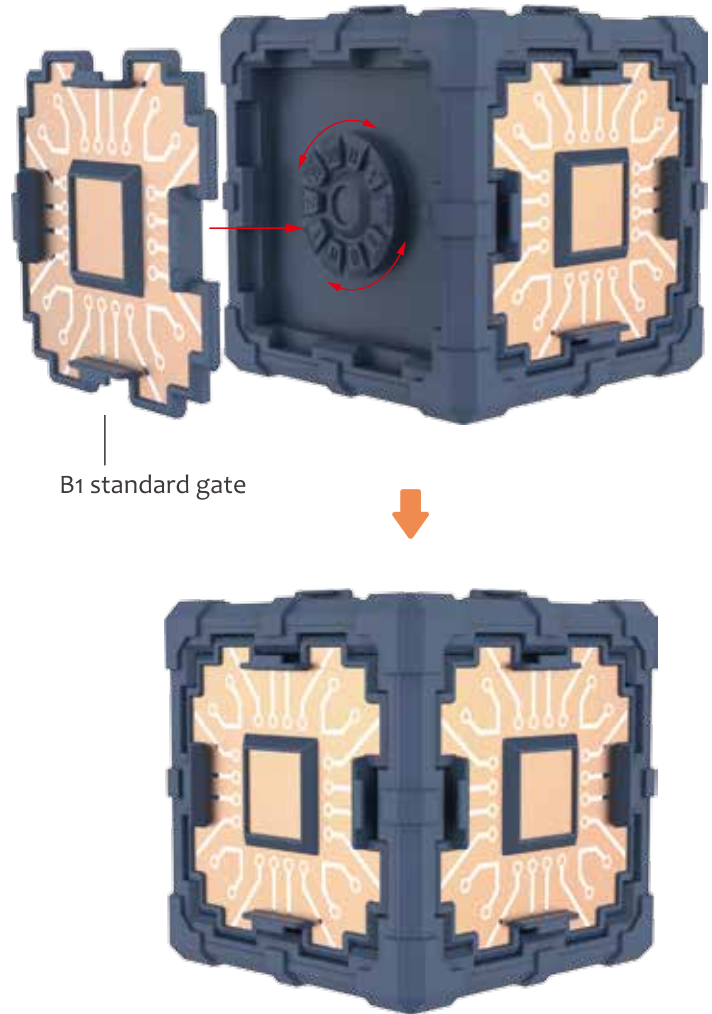
1. Close the top side B2 gate and rotate the A5 side combination dial to another position (initially 3). Then snap a B2 gate on the A5 side and close it.



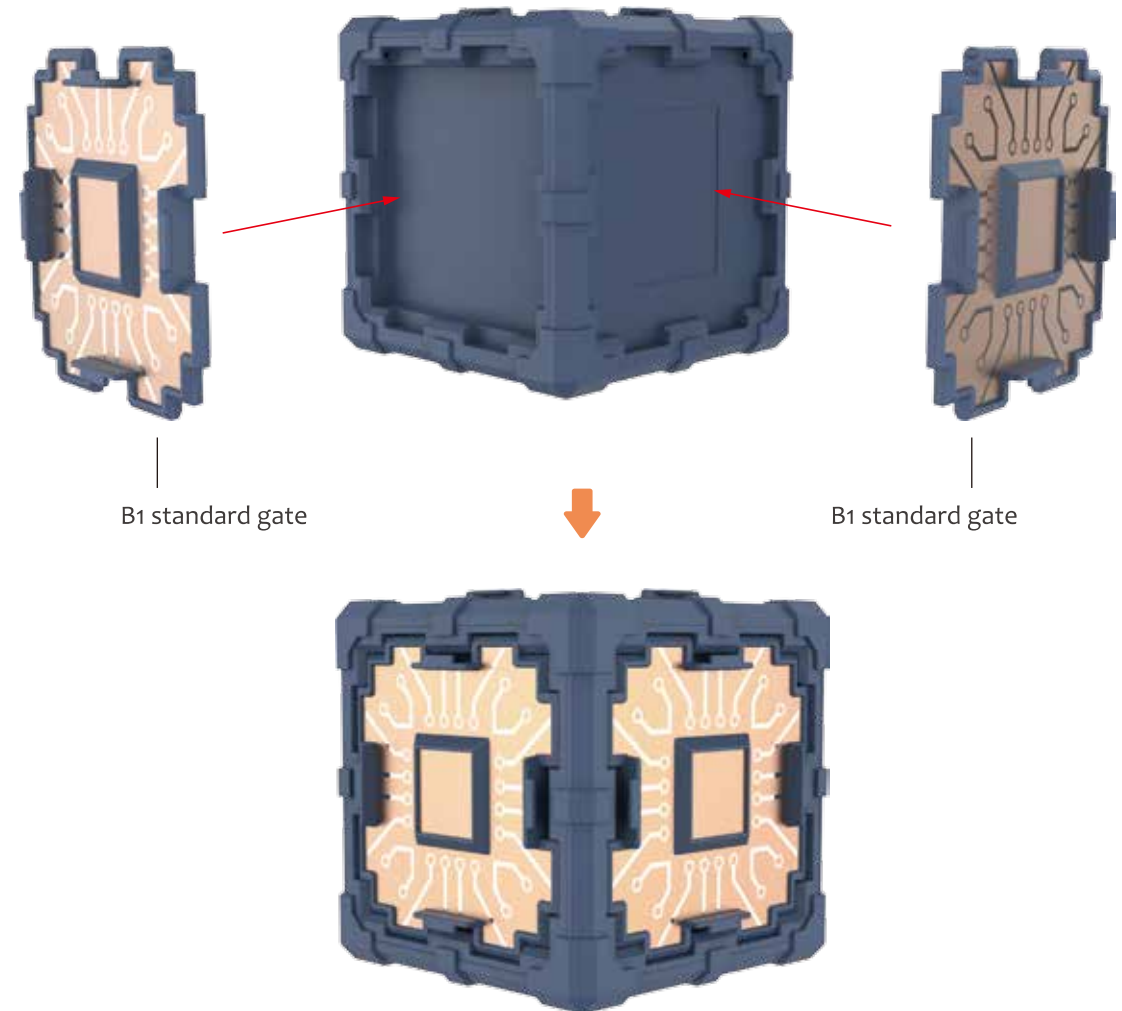
2. Rotate the A4 side combination dial to another position (initially 2), then snap a B2 gate and on the A4 side and close it.



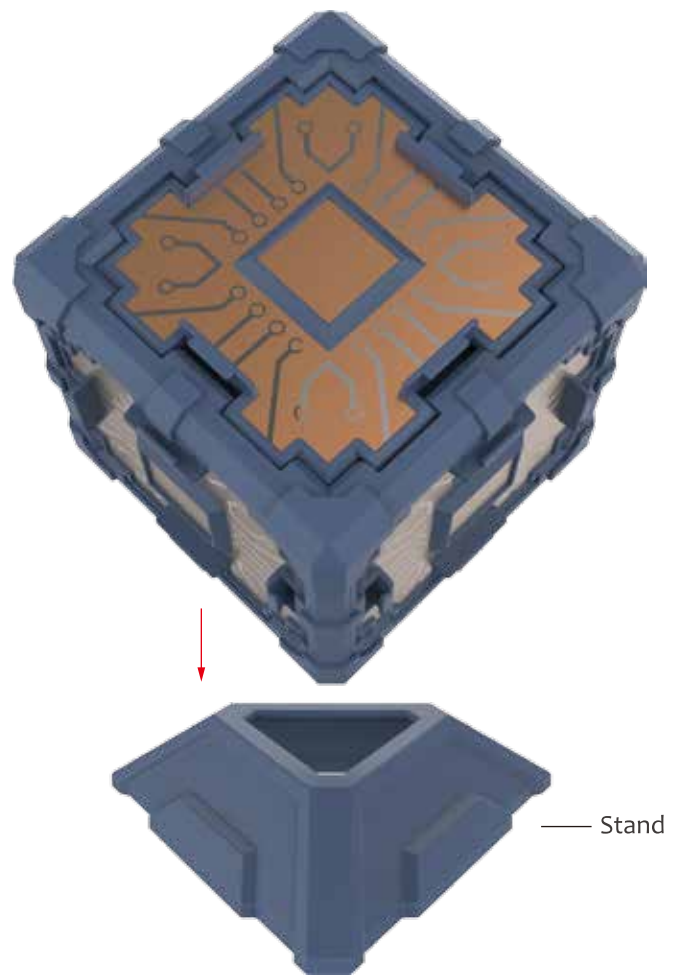
3. Rotate the A3 side combination dial to another position (initially 1), then snap a B1 gate and on the A3 side and close it.



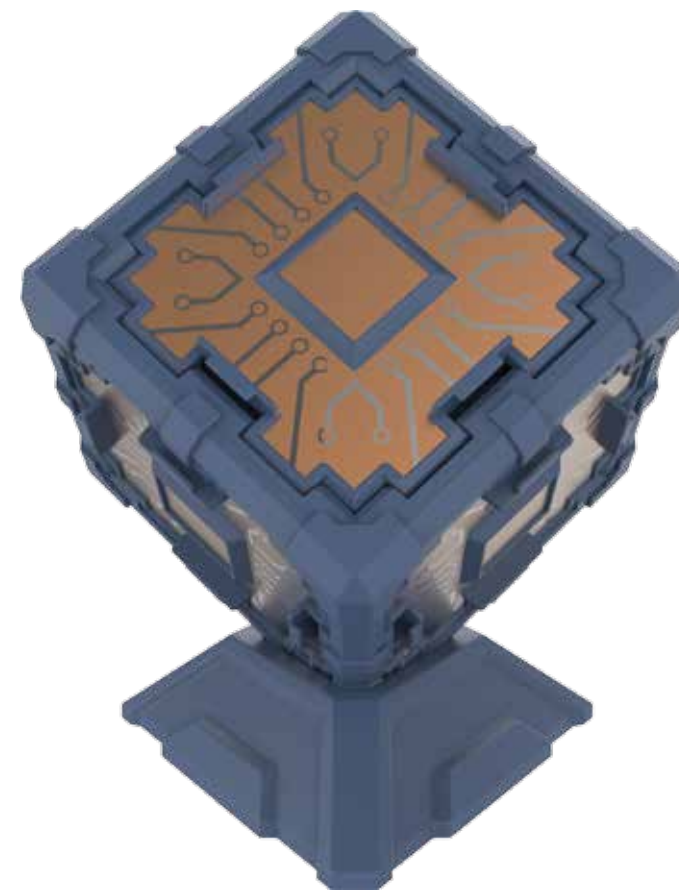
4. Connect the remaining B1 gate to the A1 base panel and the A2 side panel. The installation is completed. Start the encryption journey with your friends.



You can put your secret box on its stand!



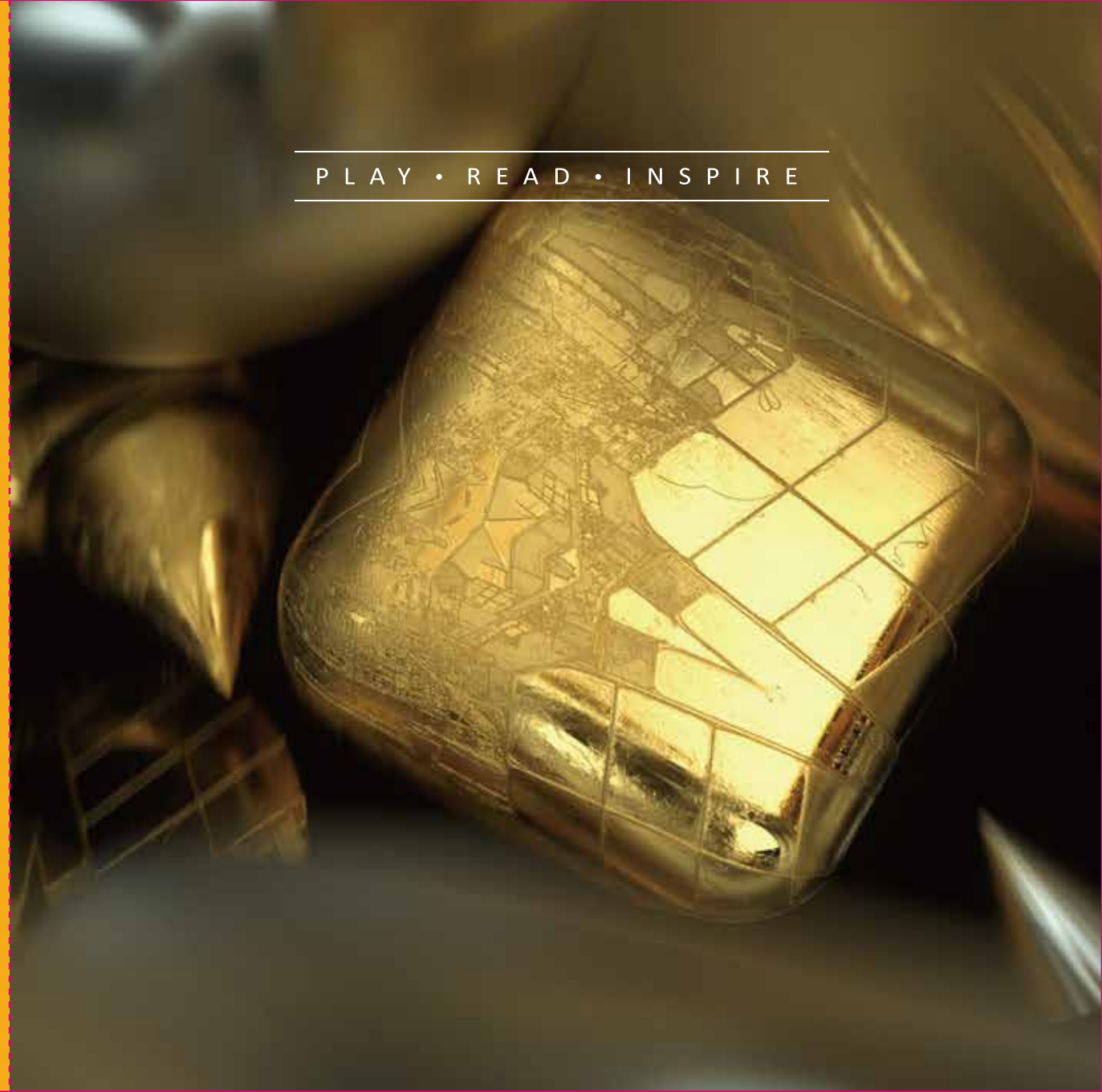
Assembly is complete!



4 | FUN FACTS



PLAY • READ • INSPIRE



WHAT DOES IT DO?

Store a personal object in the box to keep it hidden from other's sight. Close the box and move the locker to another position to secure it.

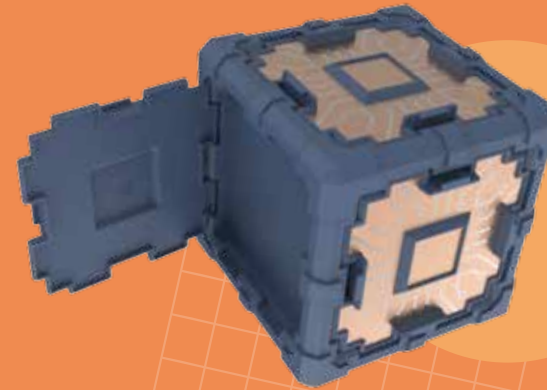


Place your secret box on its stand, nobody will ever think it contains anything.



HOW DOES IT WORK?

This entirely symmetric cube is full of tricks. All the faces have the exact same shape and thus can potentially all be opened.



However, two of them are fake without lock which fool the ones who try.

Three others contain the ten digit combination locks that allow you to open the magic door.



Read to be inspired!



Combination locks are often used in banks and jewelry shops. They use a sequence of numbers to unlock a box that contains valuable goods or money. They are a little similar to the one you have, but of course much safer.





Read to be inspired!



Do you know how many different combinations a simple lock with 3 digits of 10 figures has? It is simple to calculate, it has $10*10*10 = 1000$ different combinations.



